

NOSTALGIE Ionic Care



- With ionic technology
- For wall mounting
- Two heat/speed settings 500/1000 W
- Safety release button
- AC-Motor
- Interrupter switch
- Safety screws
- Integrated overheating and circuit protection
- Double insulated (Class II)
- 220-240 V, 50/60 Hz



▶ Hard wire application:

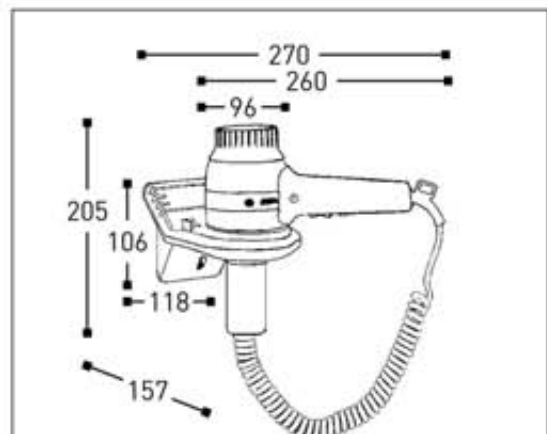
Code	Colour	Heat / Speed Settings
010345	chrome/black	500/1000 W

▶ With additional cord and plug for plug-in application:

Code	Colour	Heat / Speed Settings
010346	chrome/black	500/1000 W

Cleaning Instructions - Hair Dryer:

- Disconnect the hand dryer from the power supply.
- Wipe the case of the hairdryer with a damp (NOT wet) cloth.
- Polish with a dry cotton cloth.



Dimensions in mm	W	x	H	x	D
Hair Dryer	260	x	205	x	96
Holder	118	x	106	x	157
Complete (incl. Coil Cord)	270	x	380	x	157
Coil Cord	50 cm, extended: 120 cm				

NOSTALGIE Ionic Care



- With ionic technology
- Wall mounted metal holder
- Two heat/speed settings 500/1000 W
- Safety release button
- AC-Motor
- Safety screws
- Integrated overheating protection
- Double insulated (Class II)
- 220-240 V, 50/60 Hz

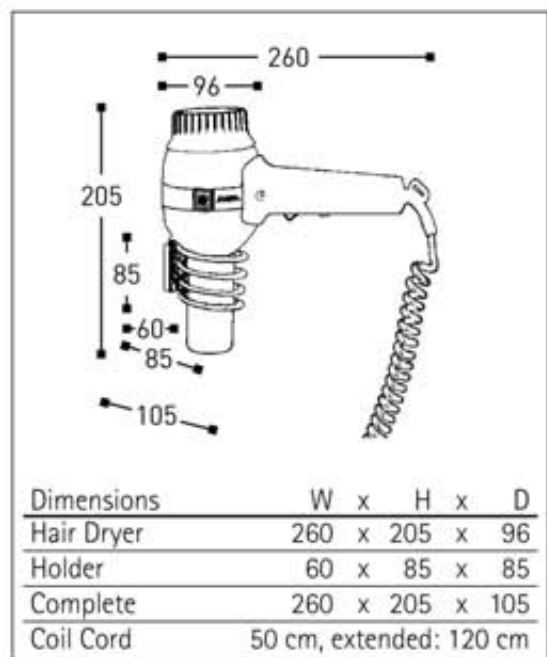


- ▶ With plug, for plug-in application:

Code	Colour	Heat / Speed Settings
010341	chrome/black	500/1000 W

Cleaning Instructions - Hair Dryer:

- Disconnect the hand dryer from the power supply.
- Wipe the case of the hairdryer with a damp (NOT wet) cloth.
- Polish with a dry cotton cloth.



NOSTALGIE Ionic Care



- Without holder
- With ionic technology
- Two heat/speed settings 500/1000 W
- Safety release button
- AC-Motor
- Safety screws
- Integrated overheating protection
- Double insulated (Class II)
- 220-240 V, 50/60 Hz



- ▶ With plug, for plug-in application:

Code	Colour	Heat / Speed Settings
010331	chrome/black	500/1000 W

Cleaning Instructions - Hair Dryer:

- Disconnect the hand dryer from the power supply.
- Wipe the case of the hairdryer with a damp (NOT wet) cloth.
- Polish with a dry cotton cloth.

